

We are so happy you chose a
hama product.

Enjoy using it!

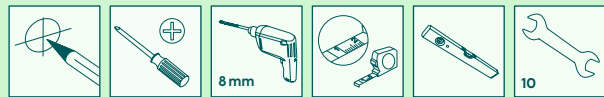
hama



00
220813

Quick Installation Guide

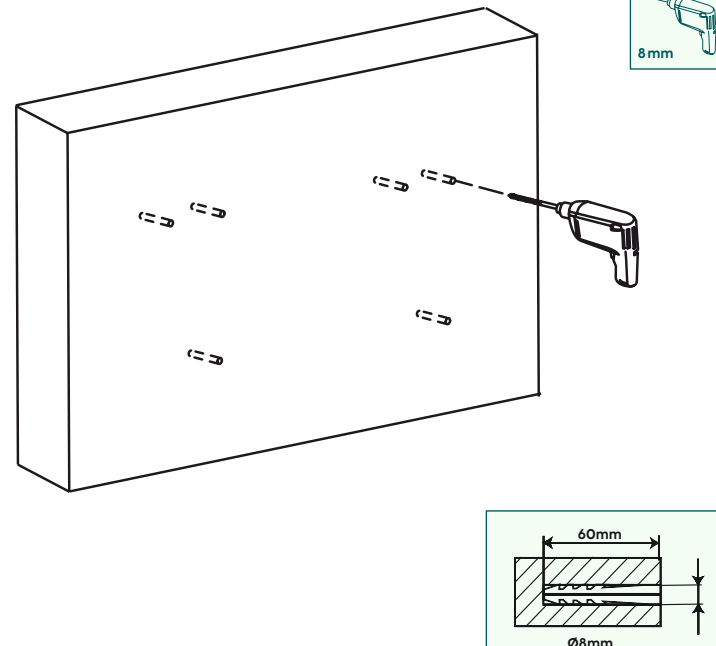
Required tools



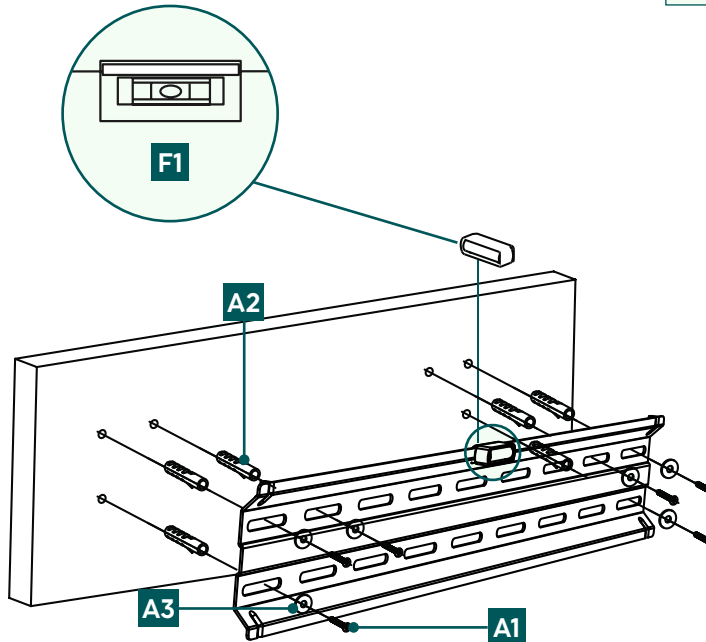
Installation kit

A1		6x50 (x6)	C2		M6x20 (x4)
A2		Ø8x50 (x6)	D1		M8x12 (x4)
A3		M6 (x6)	D2		M8x20 (x4)
B1		M6 (x4)	D3		M8x30 (x4)
B2		Ø8x10 (x4)	D4		M8x50 (x4)
B3		Ø8x20 (x4)	F1		(x1)
C1		M6x12 (x4)			

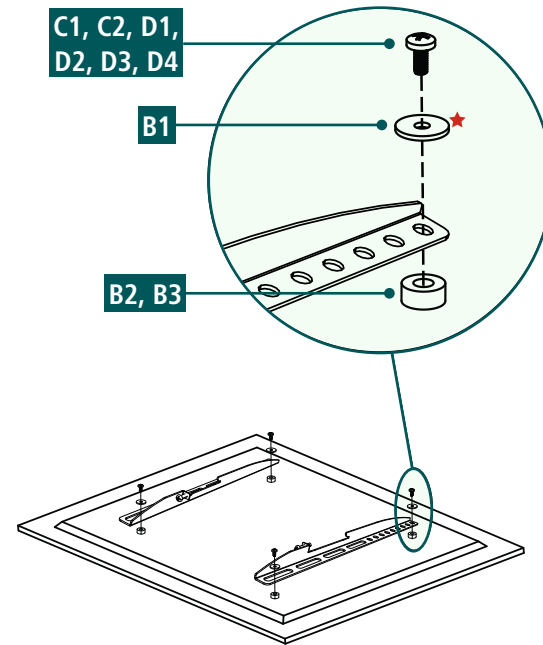
1 Drilling the holes



2 Wall mounting the the bracket



3 Mounting on backside of the TV



Flat TV backside

C1, D1, D4 + B1



Curved TV backside

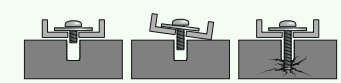
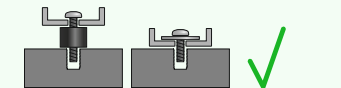
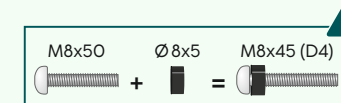
C2, D2, D4 + B1 + B2



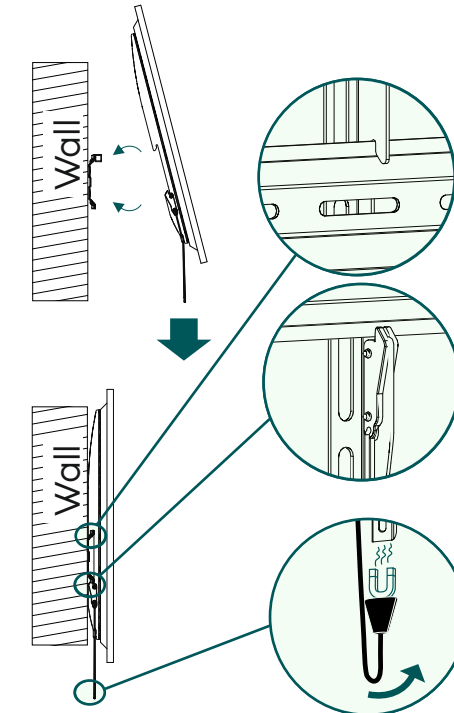
D3, D4 + B3



★ You do not need a washer for the D-screws



4 Adjustment & Fixing



Do you need more help?



Scan QR or visit: www.hama.com

00220813 Downloads



Raccolta Carta