

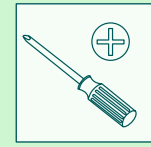
We are so happy you chose a
hama product.

Enjoy using it!



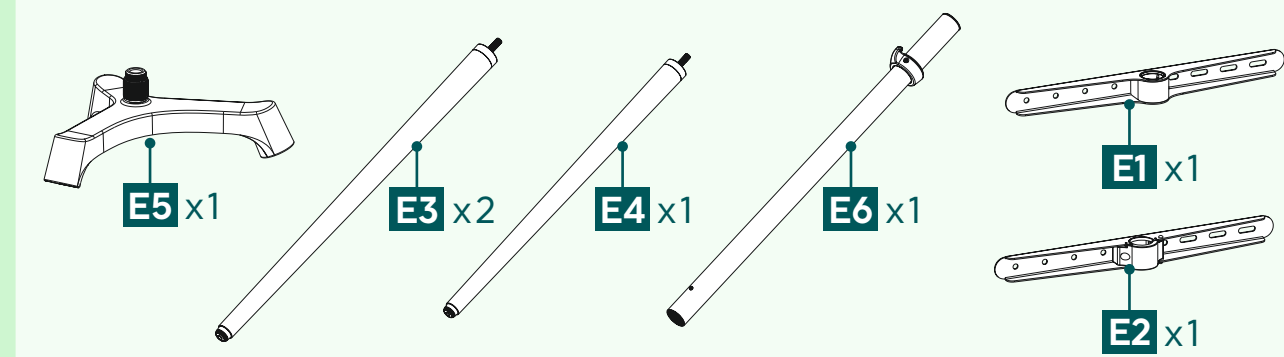
Quick Installation Guide

Required tools

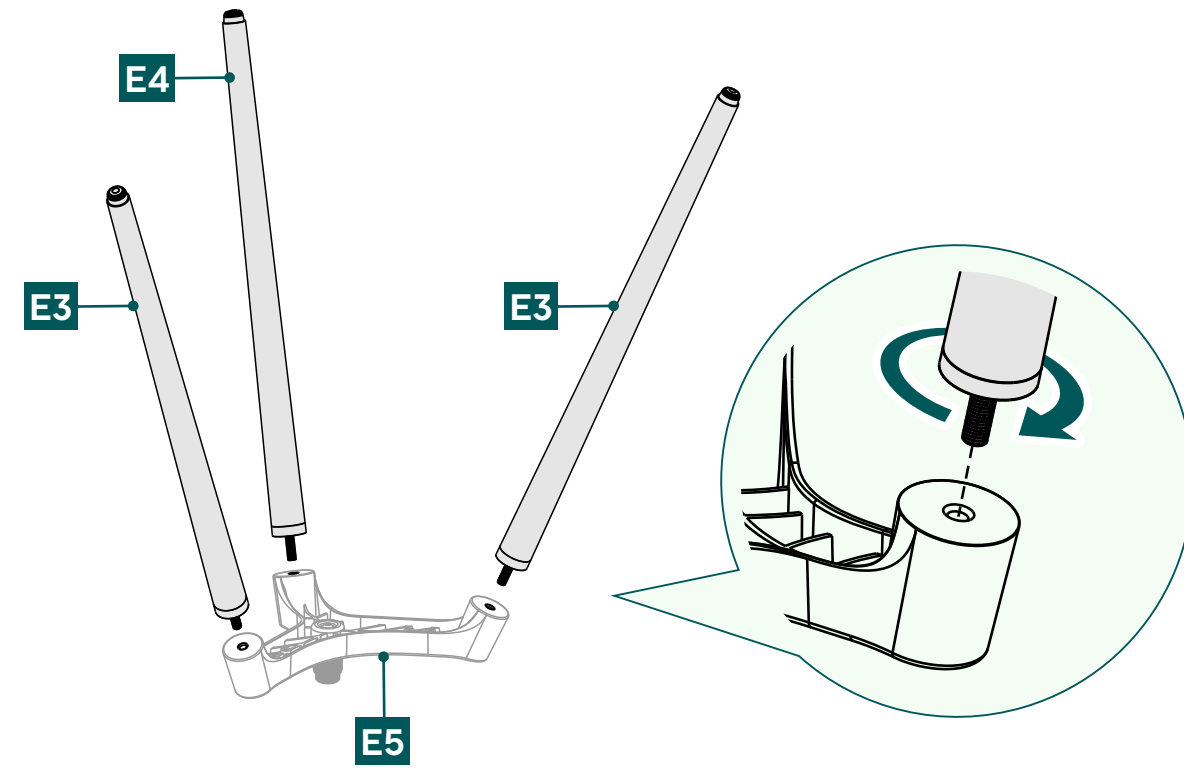


Installation kit

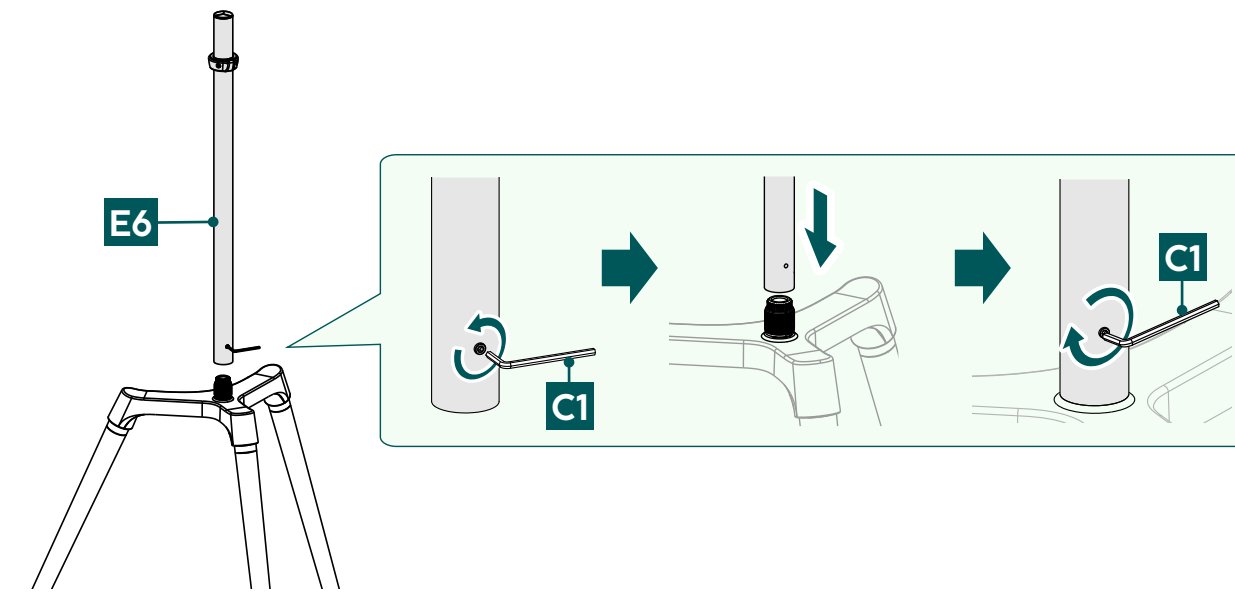
A1		M6x12 (x4)	B1		M6/M8 (x4)
A2		M6x20 (x4)	B3		Ø8x10 (x8)
A3		M8x12 (x4)	B4		Ø8x20 (x8)
A4		M8x20 (x4)	C1		3 mm (x1)
A5		M8x30 (x4)	C2		4 mm (x1)
A6		M8x50 (x4)	D1		(x2)
A7		M4x12 (x4)	D2		(x2)
A8		M4x20 (x4)			



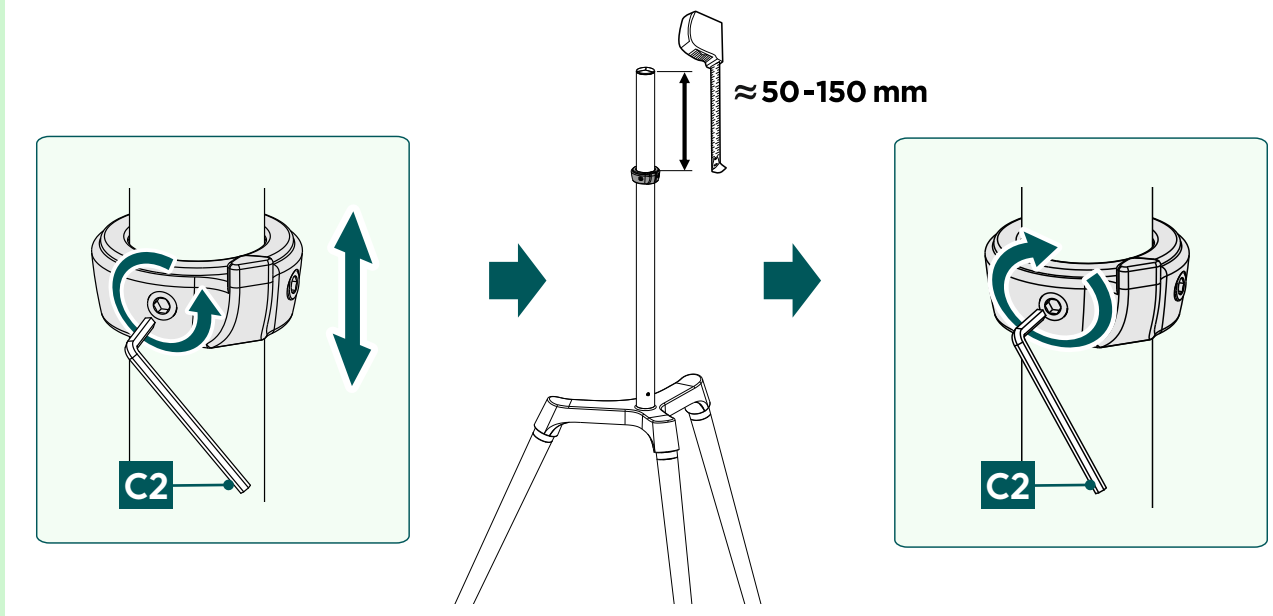
1a Assembling



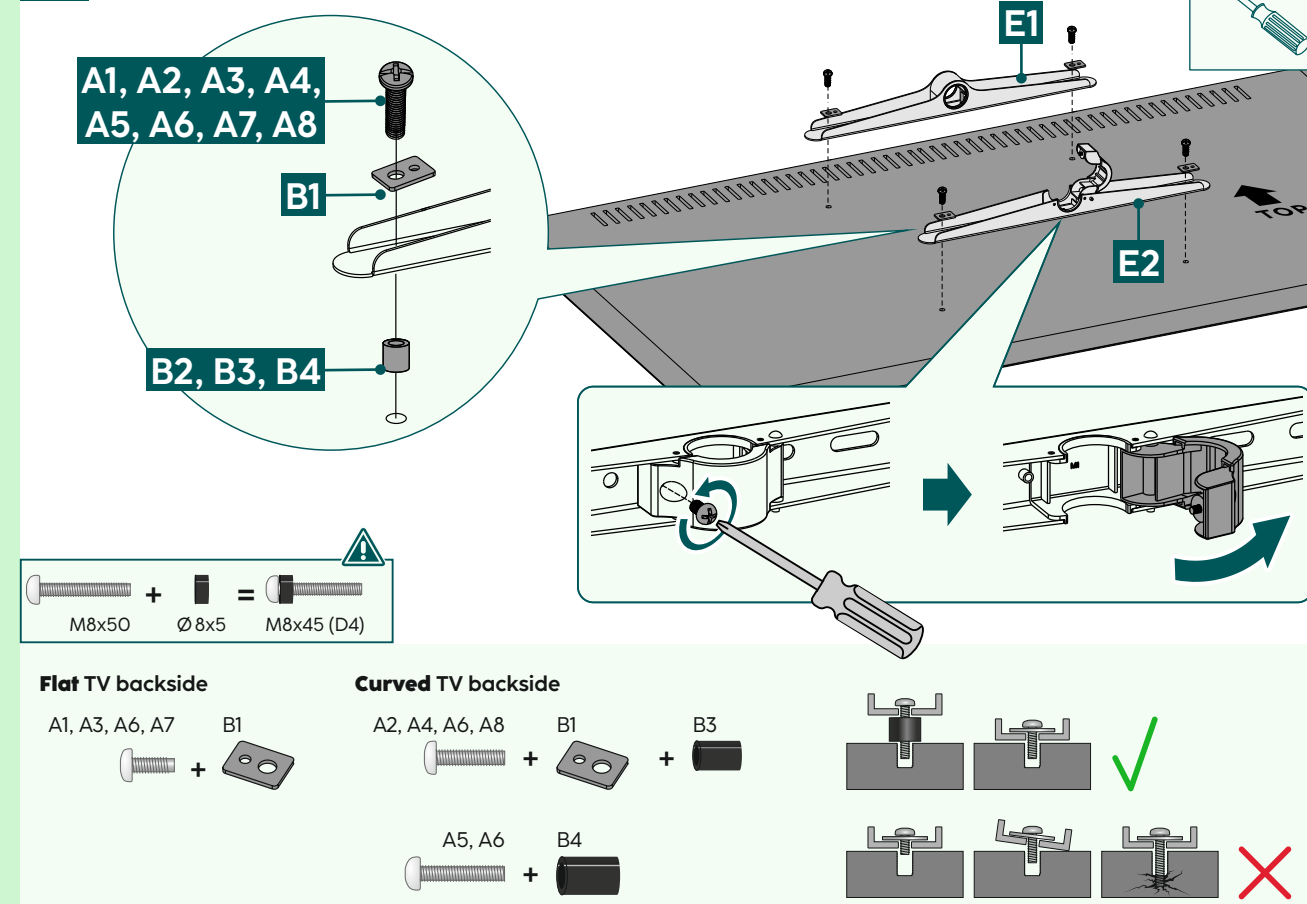
1b Assembling



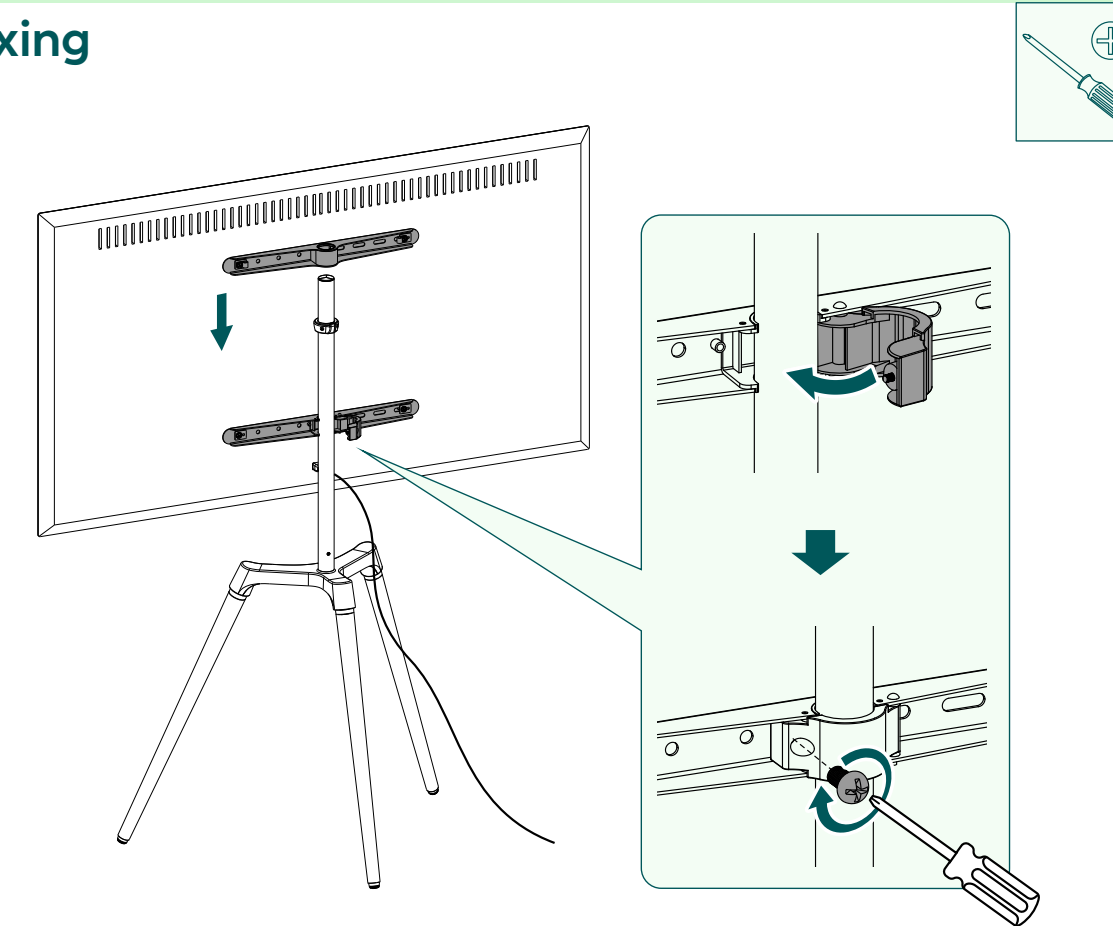
1c Assembling



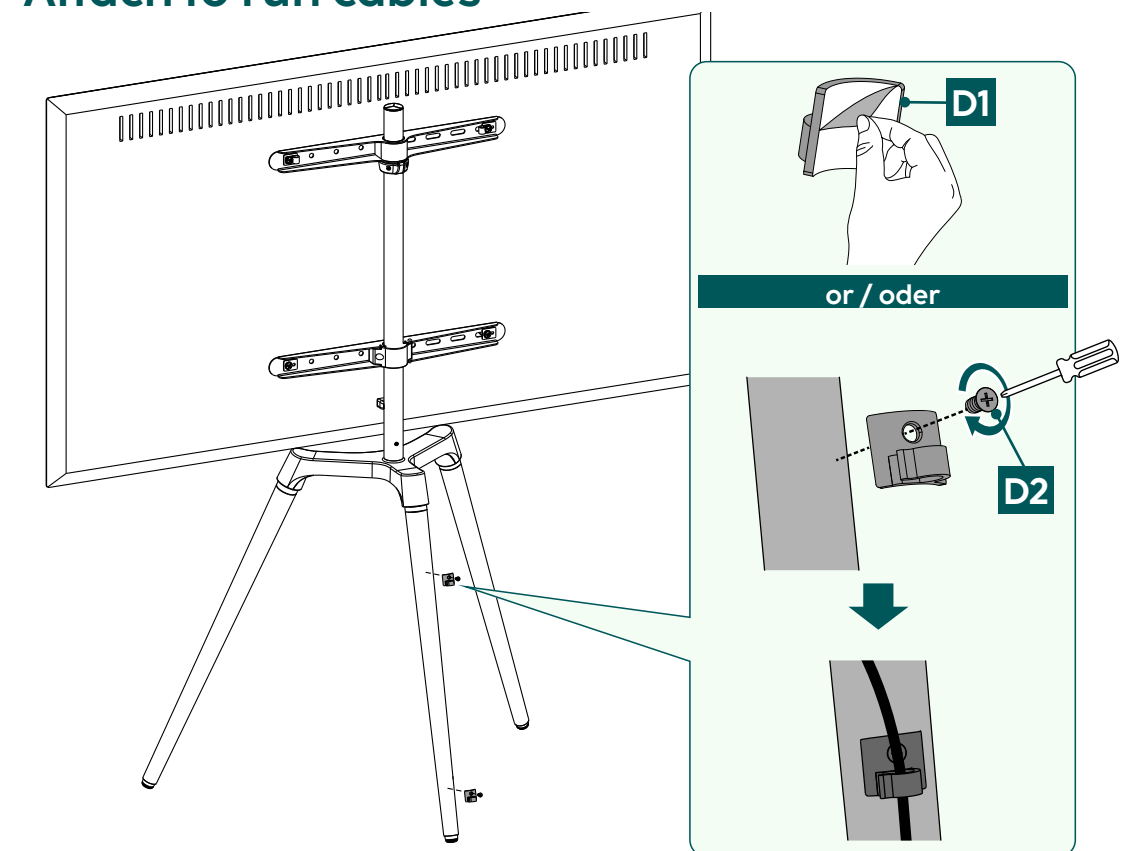
2 Mounting on backside of the TV



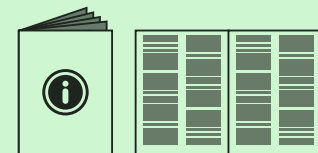
3 Fixing



4 Attach to run cables



??
Do you need more help?



Scan QR or visit: www.hama.com
00220873 Downloads



Raccolta Carta

