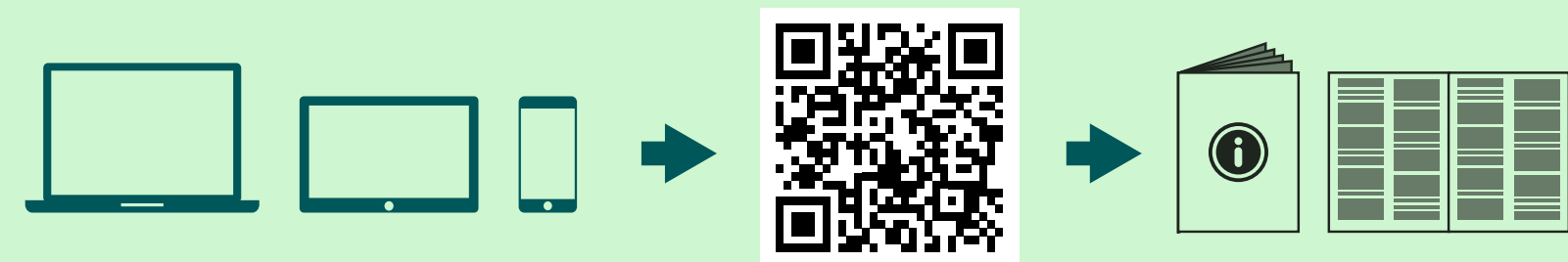


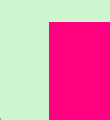
 Do you need more help?



Scan QR or visit: www.hama.com
→ 🔍 → 00220877 → Downloads

We are so happy you chose a hama product.

Enjoy using it!

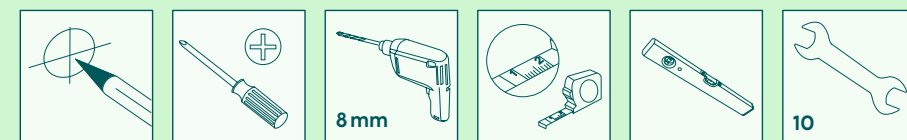


hama



Quick Installation Guide

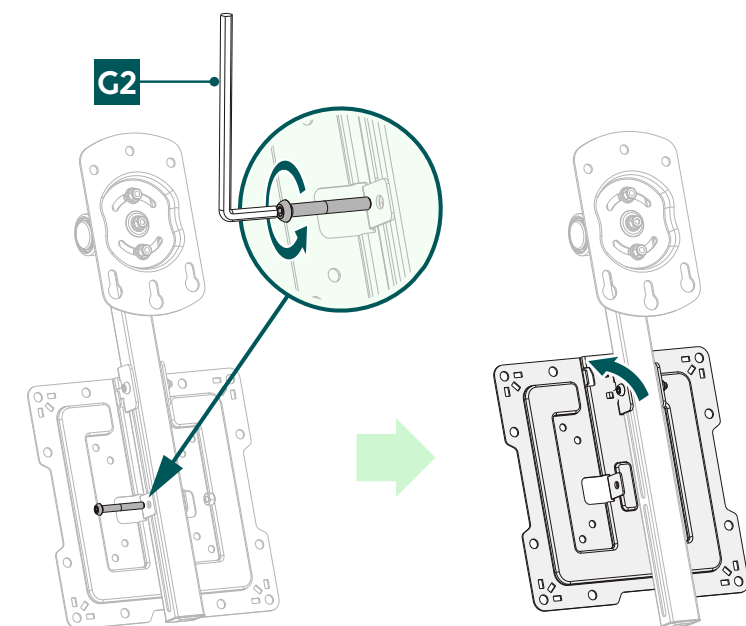
Required tools



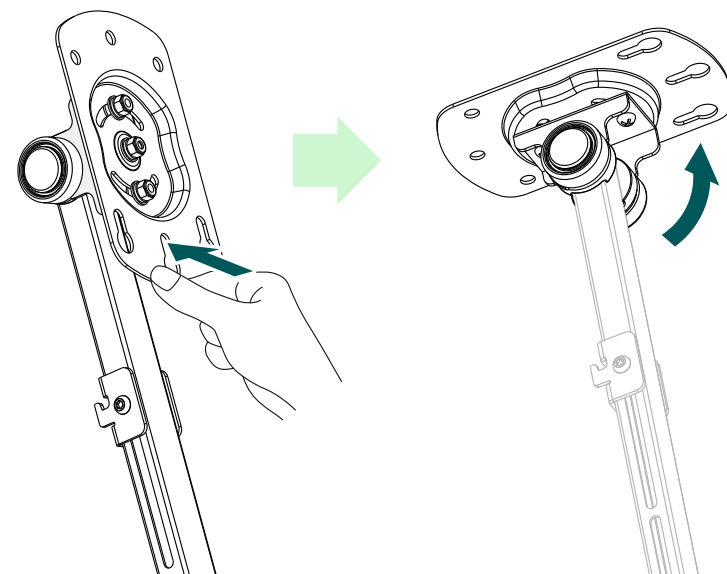
Installation kit

A1		6x55 (x4)	D2		M8x30 (x4)
A2		Ø8x50 (x4)	D3		M8x50 (x4)
A3		M6 (x4)	E1		M4x12 (x4)
B1		M6 (x4)	E2		M4x20 (x4)
B2		Ø8x10 (x4)	F1		M6x12 (x4)
B3		Ø8x20 (x4)	F2		M6 (x4)
C1		M6x20 (x4)	G1		(x1)
D1		M8x20 (x4)	G2		(x1)

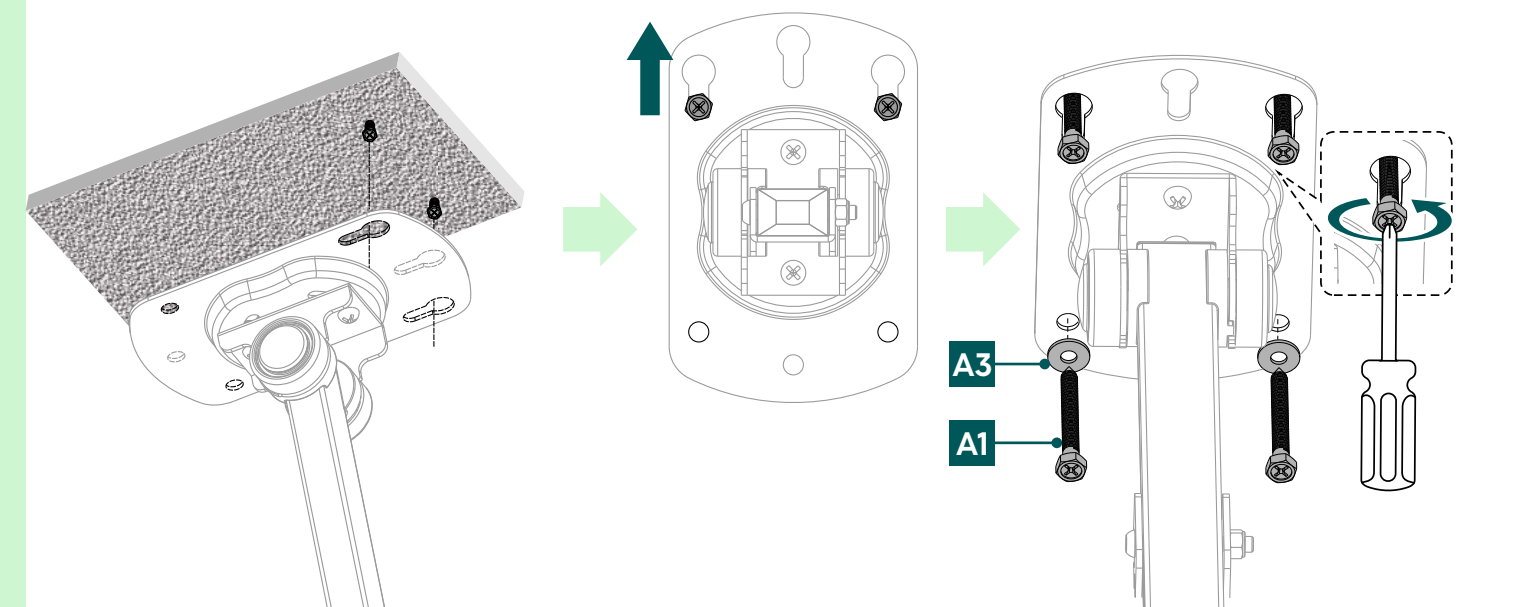
1a Loose the TV plate



1b Prepare the bracket

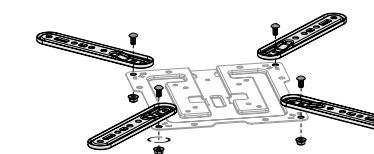


2c Wall mounting the bracket

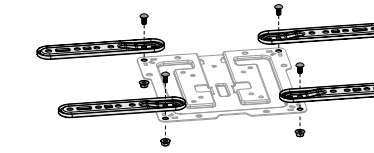


3 Prepare the TV plate

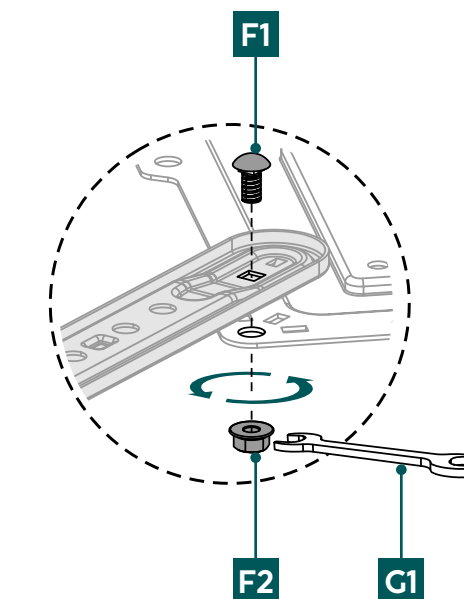
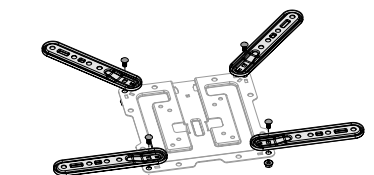
For VESA
400x400, 300x300



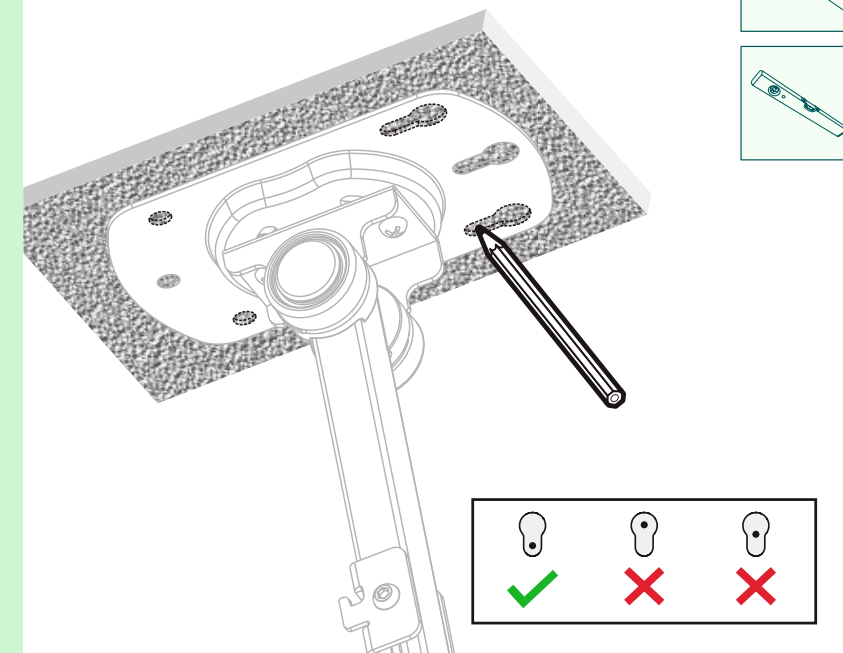
For VESA
400x200, 300x200



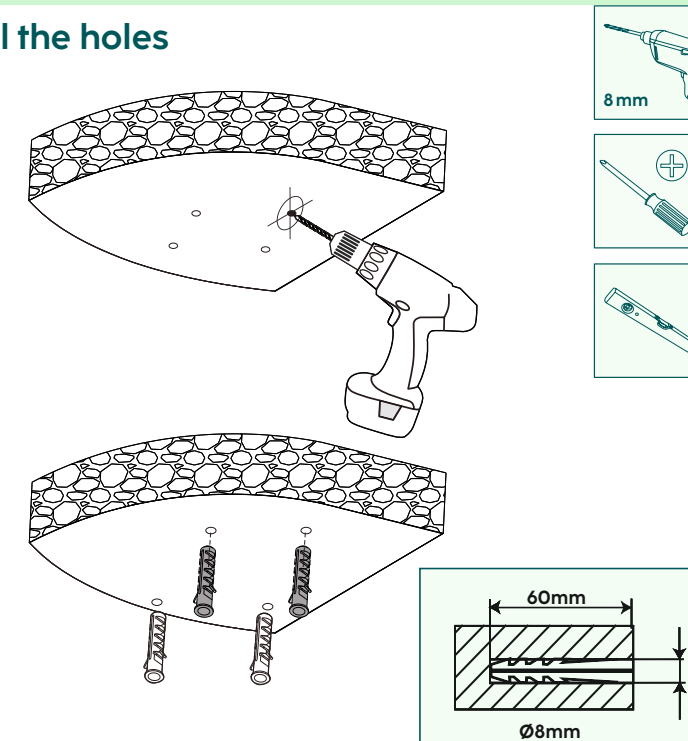
For VESA
400 x300



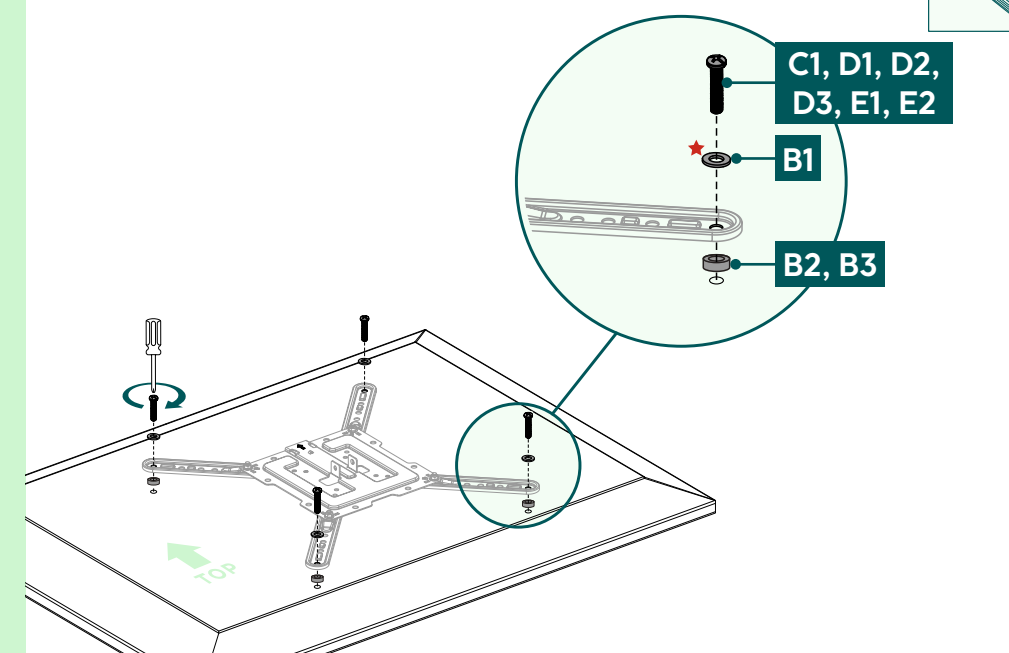
2a Mark drill holes



2b Drill the holes



4 Mounting on TV



Flat TV backside

C1, D1, D2, D3, E1

+ B1

Curved TV backside

C1, D1, D2, D3, E2

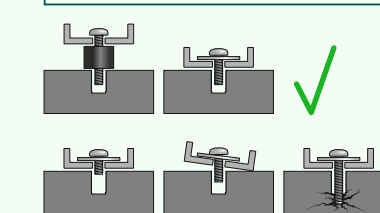
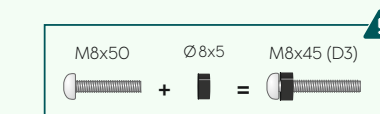
+ B1

+ B2

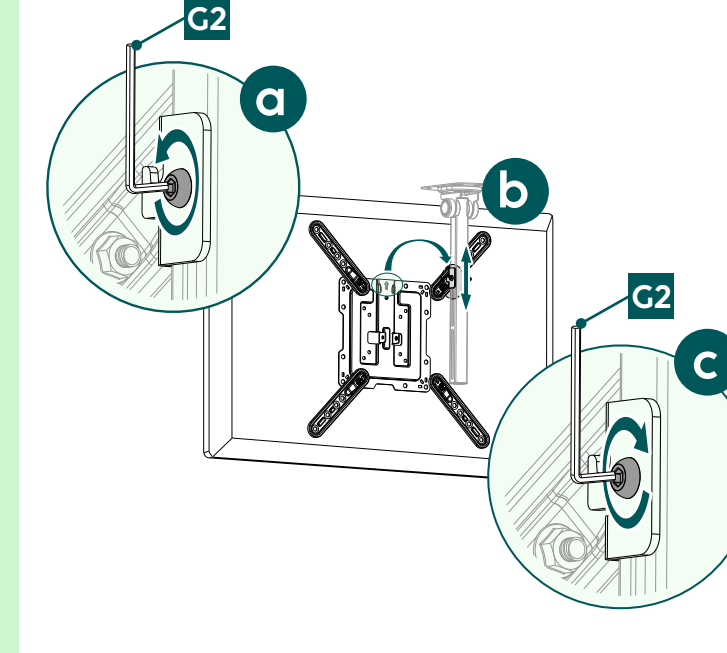
D2, D3

+ B3

★ You do not need a washer for the D-screws



5a Mounting TV on bracket



5b Fixing

